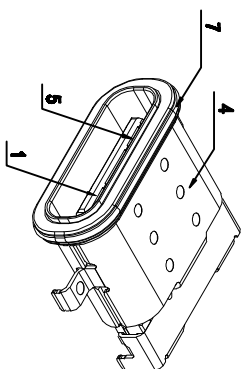
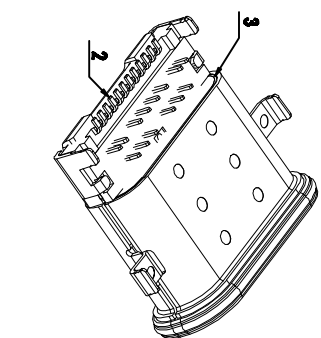
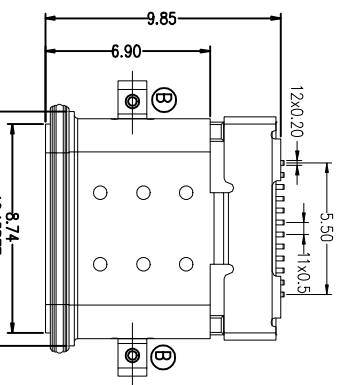


MAPX	MODIFICATION	DATE
------	--------------	------



SPECIFICATION:

1.ELECTRICAL:

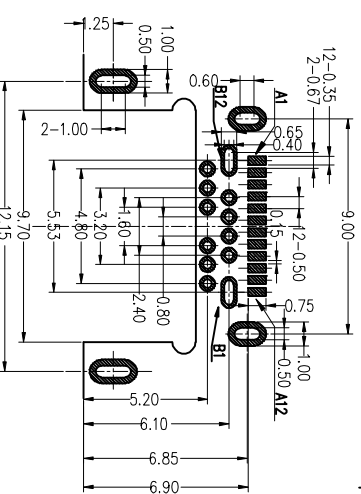
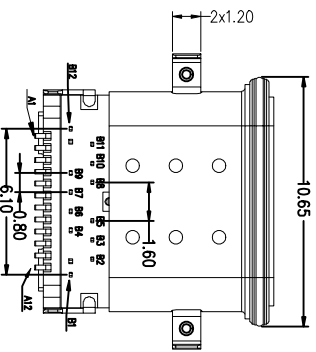
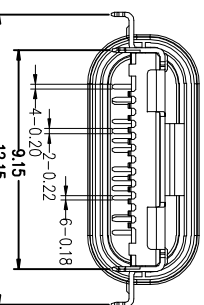
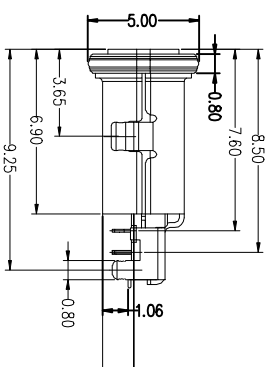
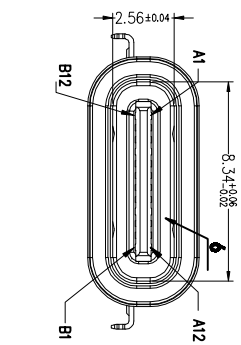
- 2-1>Contact current rating: 5A(Max)
- 2-2>Contact rated voltage: 50VAC
- 2-3>Contact resistance: Initial: Power Pin 30mohm max, other contacts Pin40mohm max, after durability: change of $+10\text{mohm}$
- 2-4 Insulation resistance: 100 Mohm Min
- 2-5 Withstanding strength: 100V AC For 1Minute

2.Material & Finish:

- Shell :Sus304,50U" Ni plating over all.
- Contact: C7025,3U"min Au plating on contact area, 30 U" Tin(min) plating on solder area(DIP contact).
- 1U" Au plating on solder area(SMT contact).

3.MECHANICAL CHARACTERISTICS:

- 2-1-MATING FORCE: 5~20N
- 3-2-UNMATING FORCE: 8~20N(INITIAL), 6~20N(AFTER 10000 CYCLES)
- 3-3-FREQUENCY: 200±50 CYCLES /HOUR; 10000 CYCLES
- 3-4-OPERATING TEMPERATURE : -40~80°.
- 4: WATERPROOF: IP-X7.



RECOMMEND PCB LAYOUT
TOL=±0.05

TABLE A

NO.	DESCRIPTION	MATERIAL	FINISH PLANNED	QTY	REMARKS
1	HOUSING	PA46	BLACK	1PCS	
2	CONTACT	COPPER ALLOY	Au/Ni Plated	ZSET	
3	INNER SHELL	STAINLESS STEEL	Ni Plated	1PCS	
4	SHELL	STAINLESS STEEL	---	1PCS	
5	GND-PLANT	STAINLESS STEEL	N/S/Ni Plated	1PCS	
6	MID-PLANT	STAINLESS STEEL	---	1PCS	
7	RING	SILICON	---	1PCS	

TABLE B

AI1	GND	BI2	GND
A2	SSTYP1	BI1	SSRP1
A3	SSTANI	BI0	SSRX1
A4	VBUS	B9	VBUS
A5	CS1	B8	SRU2
A6	DP1	B7	DN2
A7	DN1	B6	DP2
A8	SRU1	B5	CS2
A9	VBUS	B4	VBUS
A10	SSRW2	B3	SSTVZ
A11	SSRP2	B2	SSTYP2
A12	GND	B1	GND
PN	SIGNAL NAME	PN	SIGNAL NAME

产品图
PRODUCT CHART JING

公称一覽表
TYLWJZCZC UNLSSZ OTTWSZCZ
深圳市精拓金电子有限公司

单位	MM	制图	YANG	制图料号	916-41832019-0000
比例	1:1	审核	郭志富	产品名称	TYPE-C3.1插板1.1防水底座(包壳)9.85
日期	2019.11.23	核准	美国荣	图例	国標和IPC2-SMT 24PIN
日期				版本	版本
				版本	A0