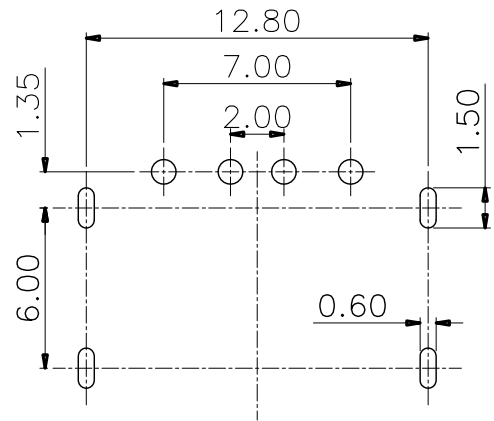
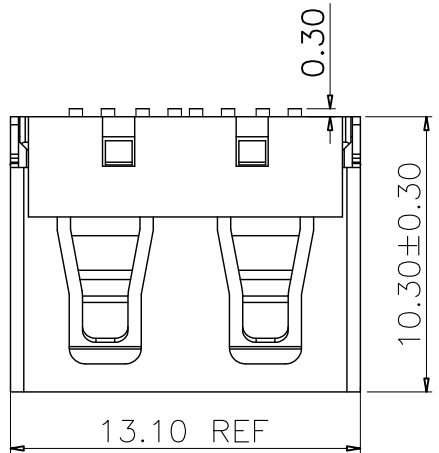
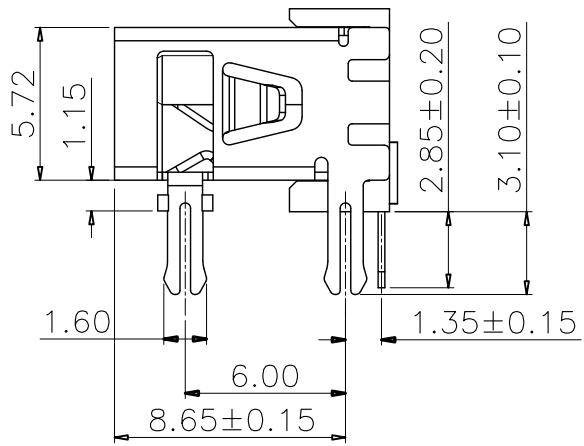
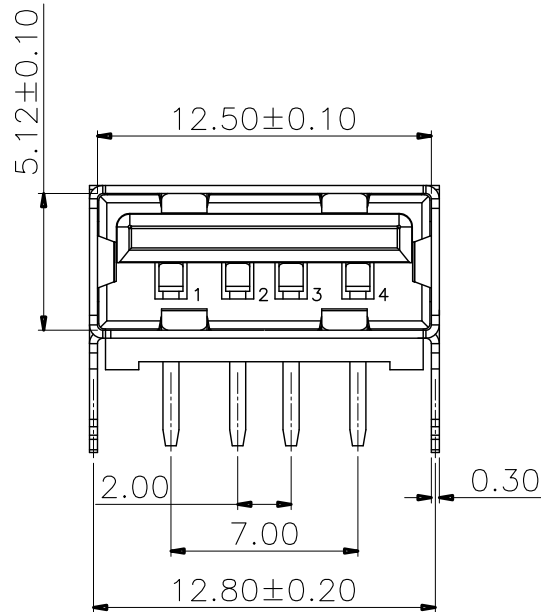


MAPX	MODIFICATION	DATE



PCB HOLES (THE PATTERN SIDE)
NOTE: GENERAL TOLERANCE: ±0.1mm



NOTES:

- 1. HOUSING: SEE NOTES,
- TERMINAL: SEE NOTES.
- SHELL: SEE NOTES.

SPECIFICATION:

- 1. ELECTRICAL CHARACTERISTIC:
 - CONTACT RESISTANCE: 30MΩ MAX
 - DIELECTRIC WITHSTANDING VOLTAGE: 500V AC FOR 1MIN
 - INSULATION RESISTANCE: 1000MΩ MIN
- 2. MECHANICAL CHARACTERISTIC:
 - INSERTION FORCE: 35N(3.57KGF) MAX
 - EXTRACTION FORCE: 10~35N(1.02~3.57KGF)MIN
 - DURABILITY: 1500 CYCLES EXTRACTION FORCE:10~35N
5000 CYCLES MIN
 - 5000 CYCLES EXTRACTION FORCE:3~35N
- 3. ENVIRONMENTAL:
 - OPERATING TEMPERATURE: -55°C+85°C
- 4. Contact finish:
 - 01:Selective Gold Flash
 - 02:Selective Gold 3U"
 - 03:Selective Gold 5U"
 - 04:Selective Gold 15U"
 - 05:Selective Gold 30U"

<p>PRODUCT CHART DWG</p> <p>公差等级 TOLERANCE UNLESS OTHERWISE</p> <table border="1"> <tr> <td>X</td> <td>±0.15</td> <td>X</td> <td>±5.°</td> </tr> <tr> <td>.X</td> <td>±0.10</td> <td>.X</td> <td>±2.°</td> </tr> <tr> <td>.XX</td> <td>±0.05</td> <td>.XX</td> <td>±1.°</td> </tr> <tr> <td>.XXX</td> <td>±0.03</td> <td>.XXX</td> <td>±0.5°</td> </tr> </table>				X	±0.15	X	±5.°	.X	±0.10	.X	±2.°	.XX	±0.05	.XX	±1.°	.XXX	±0.03	.XXX	±0.5°	<p>深圳市精拓金电子有限公司</p>			
X	±0.15	X	±5.°																				
.X	±0.10	.X	±2.°																				
.XX	±0.05	.XX	±1.°																				
.XXX	±0.03	.XXX	±0.5°																				
单位 UNITS	MM	制图 DRAWING	Z-Y-B	零件号 PRODUCT PART NO	909-362A1023D10100																		
比例 SCALE	1:1	检查 CHECK		品名 PRODUCT NO	AF10.0B款四脚无边铜壳PBT 黑胶DIP无耳朵																		
日期 DATE	2010.05.06	审核 APPD		图法 VIEW	版本 VER AO																		