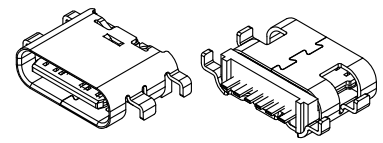


7	8	9	10
MAPX	MODIFICATION		DATE

NOTE:

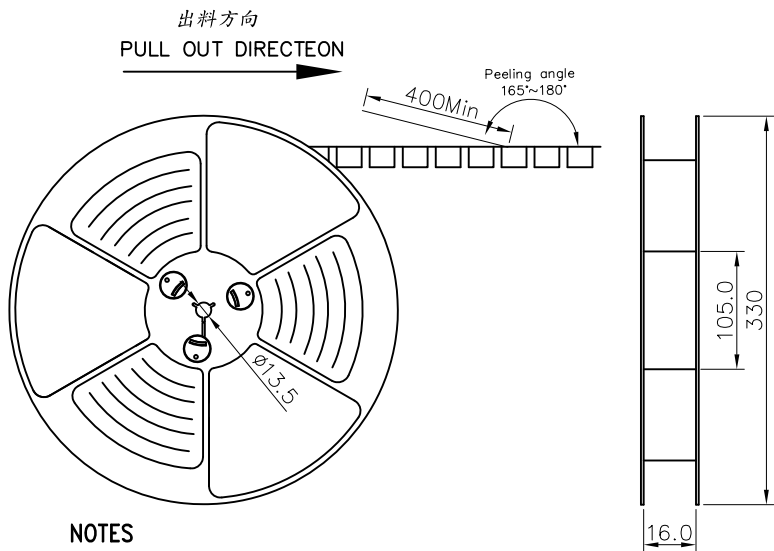
- MATERIAL SPECIFICATION:
 - HOUSING: HIGH TEMPERATURE RESISTANT PLASTIC, UL94 V-0.
 - CONTACTS: COPPER ALLOY
- PLATING SPECIFICATION:
 - CONTACTS:
 - Ni 50u" MIN. UNDER PLATED OVER ALL.
 - Au PLATED ON THE FUNCTIONAL AREA OF CONTACT.
 - (GOLD PLATING THICKNESS FOLLOW THE P/N)
 - GOLD FLASH PLATING ON SOLDER AREA
 - FRONT SHELL:
 - Ni 30u" MIN. UNDER PLATED OVER ALL.
- MECHANICAL PERFORMANCE,
 - INSERTION FORCE: 0.5~2.0kgf.
 - REMOVAL FORCE: 0.8kgf~2.0kgf.
 - DURABILITY: 3000 CYCLES.
- ELECTRICAL PERFORMANCE,
 - CURRENT RATING: 5.0A
VOLTAGE RATING: 20V
 - INSULATION RESISTANCE: 100MΩ MIN
 - DIELECTRIC WITHSTAND VOLTAGE, AC 100V FOR 1 MINUTE.
 - LOW CONTACT RESISTANCE: INITIAL 40MΩ /AFTER 50MΩ
- ENVIRONMENTAL PERFORMANCE:
 - OPERATING TEMPERATURE: -30°C~+80°C.
- IR REFLOW:
 - THE PEAK TEMPERATURE ON THE BOARD SHALL BE MAINTAINED FOR 10 SECONDS AT 260°C.

RECOMMEND P.C.B LAYOUT (COMPONENT SIDE)
TOLERANCE FOR PCB LAYOUT IS ± 0.05



PIN NUMBER	SIGNAL NAME
A5	CC1
A9	VBUS
A12	GND
B12	GND
B9	VBUS
B5	CC2

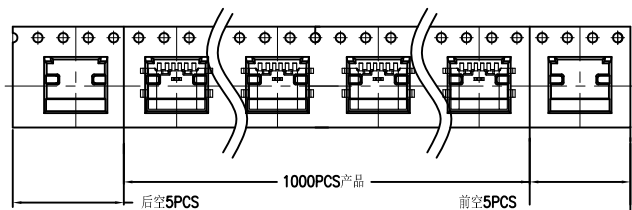
<p>产品图 PRODUCT CHART DWG</p> <p>公差一览表 TOLERANCE UNLESS OTHERWISE</p> <table border="1"> <tr> <td>X.</td> <td>±0.30</td> <td>X.</td> <td>±5.°</td> </tr> <tr> <td>.X</td> <td>±0.25</td> <td>.X</td> <td>±2.°</td> </tr> <tr> <td>.XX</td> <td>±0.15</td> <td>.XX</td> <td>±1.°</td> </tr> <tr> <td>.XXX</td> <td>±0.10</td> <td>.XXX</td> <td>±0.5°</td> </tr> </table>		X.	±0.30	X.	±5.°	.X	±0.25	.X	±2.°	.XX	±0.15	.XX	±1.°	.XXX	±0.10	.XXX	±0.5°	<p>深圳市精拓金电子有限公司</p>			
X.	±0.30	X.	±5.°																		
.X	±0.25	.X	±2.°																		
.XX	±0.15	.XX	±1.°																		
.XXX	±0.10	.XXX	±0.5°																		
单位 UNITS	MM	制图 DRAWING	YANG	制图料号 PRODUCT PART NO.	918-418K2024S40006																
比例 SCALE	1:1	审核 CHKD	郭志富	产品名称 PRODUCT NO.	TYPE-C3.1 6PF SMT沉板1.6母座 单排短体6.5L																
日期 DATE	2019.11.23	核准 APPD	黄国荣	角法 VIEW	版本 VER																
					AO																



NOTES

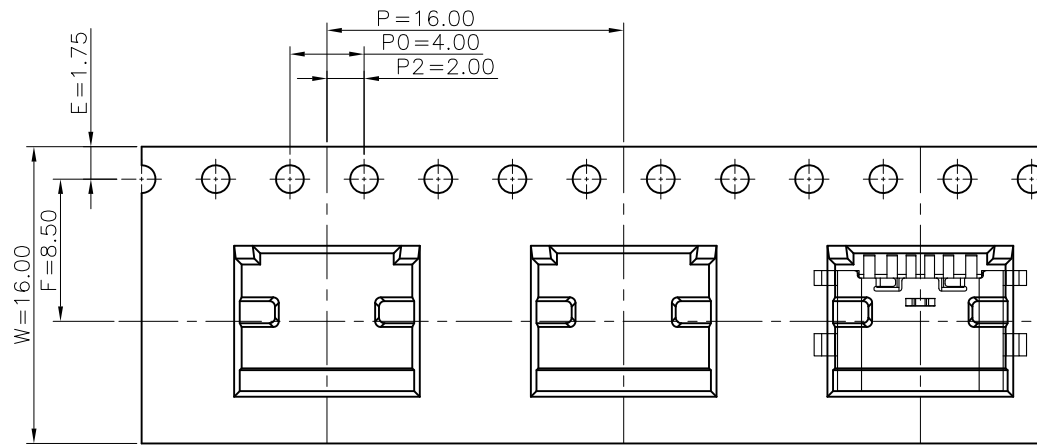
1. 帶子引導長度
LEAD TAPE LENGTH

出料方向
PULL OUT DIRECTEON



2. 上帶 剝力力為：0.1~1.3N(10.2gf~130gf)
PEELING OFF FORCE OF TOP TAPE:0.1~1.3N(10.2gf~130gf)

出貨運輸過程中一定注意：
THIS REQUIREMENT SHOULD BE APPLIED AT SHIPMENT：
卷帶在運輸過程中不能散開
PEELING OFF SHOULD NOT BE ALLOWED DURING TRANSPORTATION

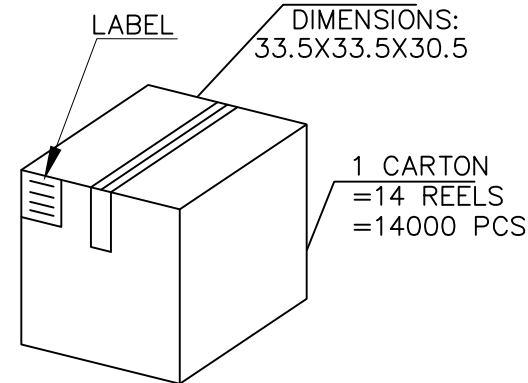
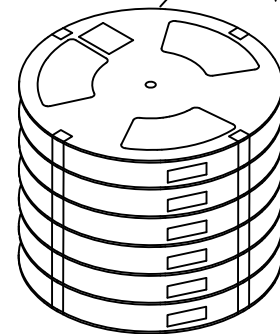


TAPE & REEL 14 PCS

1 REEL
= 1000 PCS

BOX

DIMENSIONS:
33.5X33.5X30.5



包裝明細表 (The detail of the packing) Carton						
產品料號 (Product No.)	包裝容量 (Packing Capacity)			重量 Weight (Kg)		
	pcs/box	boxs/Carton	Pcs/Box	N.W./Pcs	N.W./Box	G.W./Box
UCR05-X064X-00XR	1000	14	14000	---	---	---

产品图 PRODUCT CHART DWG		深圳市精拓金电子有限公司					
公差一览表 TOLERANCE UNLESS OTHERWISE		单位 UNITS	MM	制图 DRAWING	YANG	制图料号 PRODUCT PART NO.	918-418K2024S40006
X. ±0.30 X. ±5.°	.X ±0.25 .X ±2.°	比例 SCALE	1:1	审核 CHKD	郭志富	产品名称 PRODUCT NO.	TYPE-C3.1 6PF SMT沉板1.6母座 单排短体6.5L
.XX ±0.15 .XX ±1.°	.XXX ±0.10 .XXX ±0.5°	日期 DATE	2019.11.23	核准 APPD	黄国荣	角法 VIEW	版本 VER
							AO