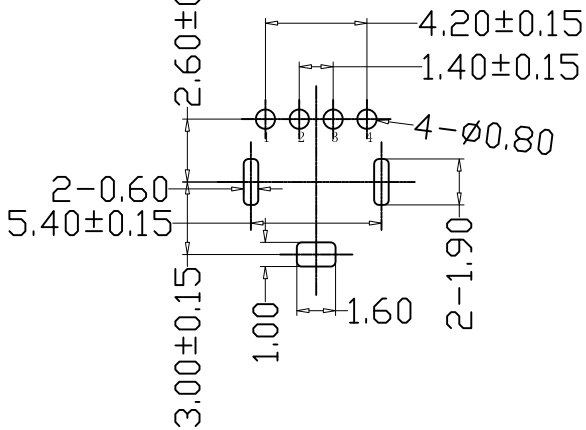
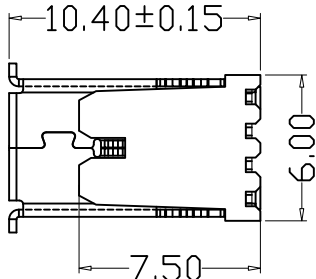
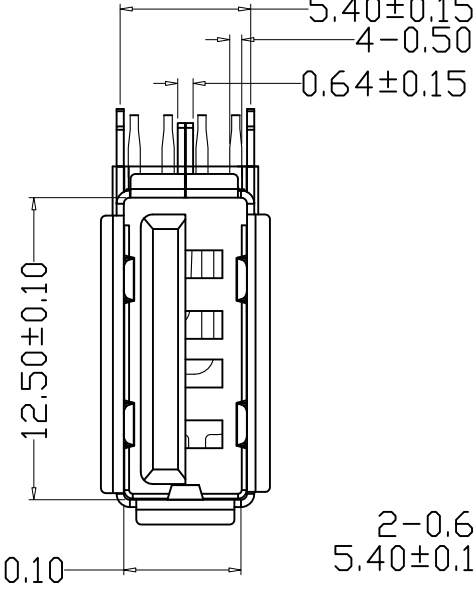
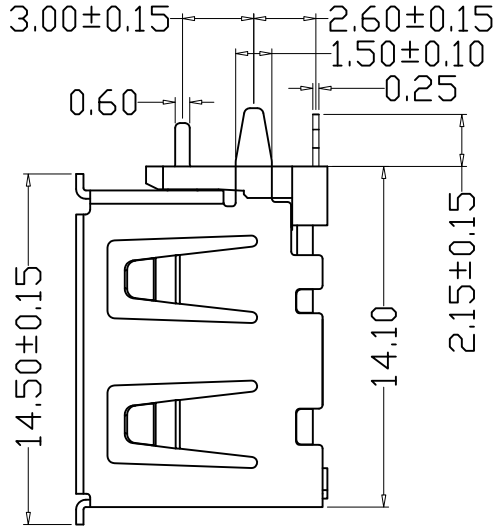
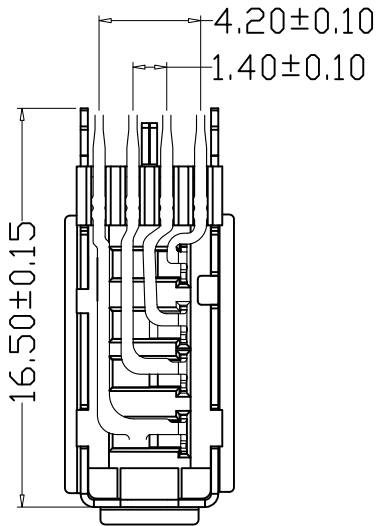
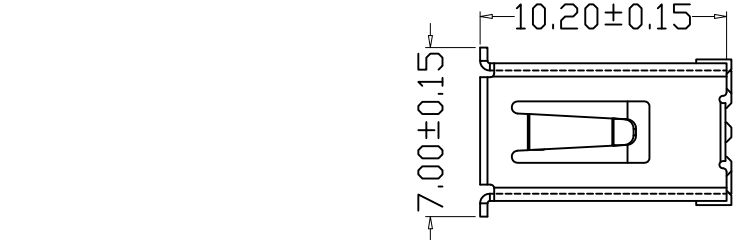


MAPX	MODIFICATION	DATE

NOTE:

- Material:
 - Housing: Thermoplastics, UL94V-0 (ROHS, HF)
 - Contact: Phosphor Bronze C5191-EH/C2680-EH, T=0.25mm
 - Shell: COPPER ALLOY T=0.30mm
- FINISH:
 - Contact: 15u" Gold Plated on Contact Area, 80u" Min. Tin Plated on Solder Area, 50u" Min. Nickel Underplating Over All.
 - Shell: 50u" Min. Nickel Underplating Over All.
- Specification:
 - Rating:
 - Rated voltage 500V AC/DC. Rated current: 2 A Max.
 - Electrical:
 - Insulation Resistance(EIA-364-21): 1000MΩ Min. at 500V/DC for 1Minute.
 - Contact Resistance(EIA-364-23): 30 mΩ Max. at 20mV Max, 50mA
 - Dielectric Withstanding Voltage(EIA-364-20): No discharge, flashover or breakdown at 500V/AC 1Minute
- Plug extraction force shall be between 1.0kgf and 2.00kgf
- Contact finish:
 - 01: Selective Gold Flash
 - 02: Selective Gold 3U"
 - 03: Selective Gold 5U"
 - 04: Selective Gold 15U"
 - 05: Selective Gold 30U"



RECOMMENDED PCB LAYOUT
GENERAL TOLERANCES: ±0.05

<p>产品图 PRODUCT CHART DWG</p>				<p>深圳市精拓金电子有限公司</p>							
<p>公差一览表 TOLERANCE UNLESS OTHERWISE</p>				单位	MM	制图	Z-Y-B	制图料号	906-152B1026D10200		
X.	±0.25	X.	±5.°	UNITS		DRAWING		PRODUCT PART NO.			
.X	±0.20	.X	±2.°	比例	1:1	审核		产品名称	AF10.0侧插短体三直脚有边铜壳		
.XX	±0.15	.XX	±1.°	SCALE		核淮		反向加厚PBT黑胶			
.XXX	±0.10	.XXX	±0.5°	日期	2014.07.20	APPD		角法		版本	A0
				DATE				VIEW		VER	