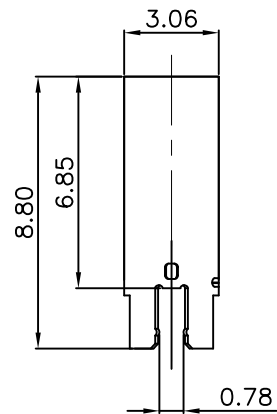
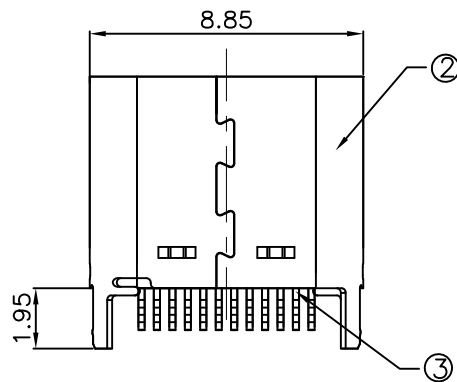
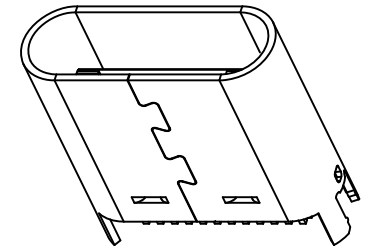
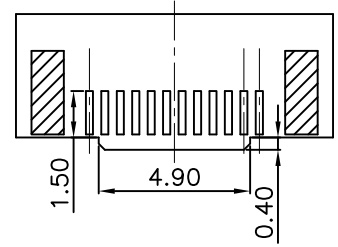
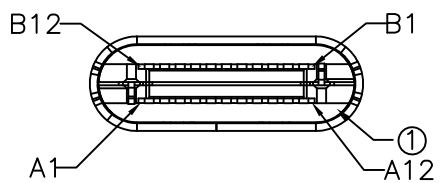


MAPX	MODIFICATION	DATE
------	--------------	------



PCB LAYOUT

Remark:  
Main Features:  
1. Current Rating:3A  
2. Contact Impedance:40mΩ MAX  
3. Insulation Resistance:100MΩ MIN 100V DC  
4. Wetting Property:Temperature250±5℃, time of 5±0.5s  
5. Mechanical Characteristics:  
Insertion Force:5-20N  
Extraction Force:Initial:8-20N;Durability:6-20N(1000cycles)  
6. Life Test:10000 cycles min  
7. All products meet environmental standards of ROHS



④	EMI LATCH	1	STAINLESS STEEL	NICKEL PLATED OVERALL,TAB WITH LEAD FREE TIN ALLOY.
③	CONTACT	24	COPPER ALLOY	NICKEL UNDERPLATING OVER ALL,GOLD PLATING AT - CONTACT AREA.LEAD FREE TIN ALLOY AT TERMINATION.
②	SHELL	1	STAINLESS STEEL	SEE DRW NO.
①	HOUSING	2	THERMOPLASTIC UL 94V-0	SEE DRW NO.
NO.	DESCRIPTION	QTY.	MATERIAL	TREATMENT

**产品图**  
PRODUCT CHART DWG

**深圳市精拓金电子有限公司**

公差一览表 TOLERANCE UNLESS OTHERWISE		单位 UNITS	MM	制图 DRAWING	YANG	制图料号 PRODUCT PART NO.	918-418K2022E40001
X.	±0.30 X.	±5.°	比例 SCALE	审核 CHKD	郭志富	产品名称 PRODUCT NO.	TYPE-C3.1母头直立式6.85夹板
.X	±0.25 .X	±2.°					0.8不锈钢LCP黑胶24PIN
.XX	±0.15 .XX	±1.°					角法 VIEW
.XXX	±0.10 .XXX	±0.5°	日期 DATE	2019.11.23	核准 APPD	黄国荣	

A1	A2	A3	A4	A5	A6	A7	A8	A9	A10	A11	A12
GND	TX1+	TX1-	Vbus	CC1	D+	D-	SUB1	Vbus	RX2-	RX2+	GND
GND	RX1+	RX1-	Vbus	SUB2	D-	D+	CC2	Vbus	TX2-	TX2+	GND
B12	B11	B10	B9	B8	B7	B6	B5	B4	B3	B2	B1