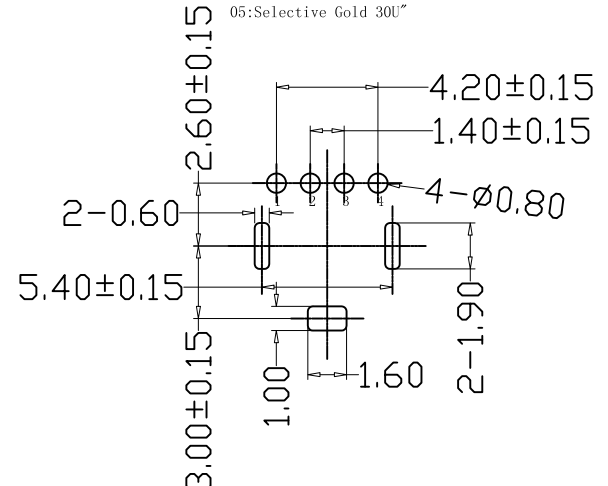
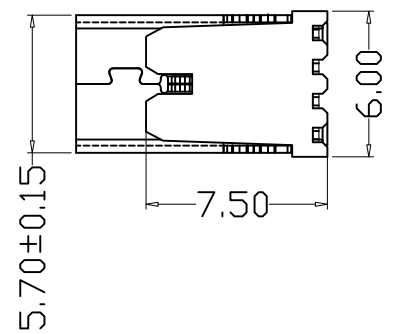
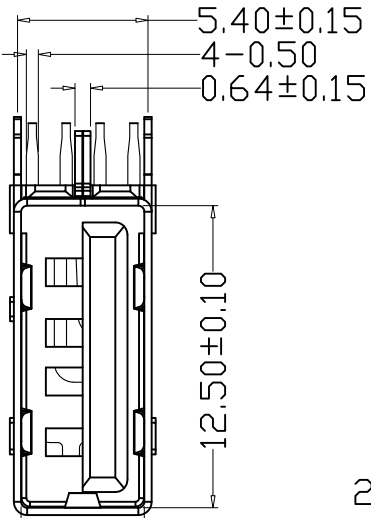
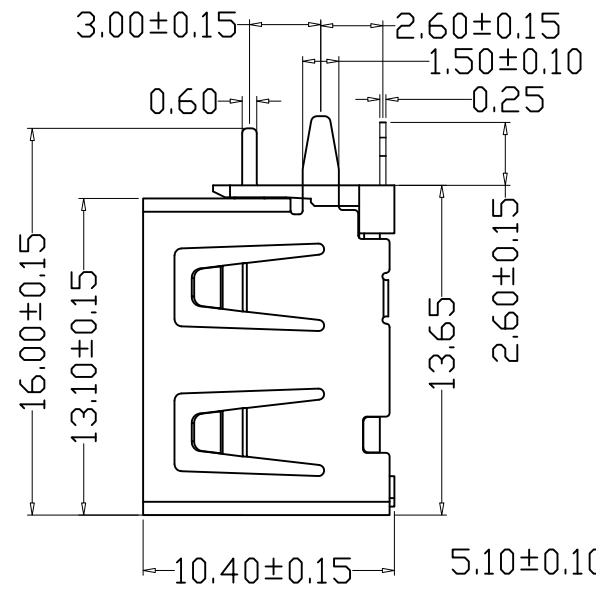
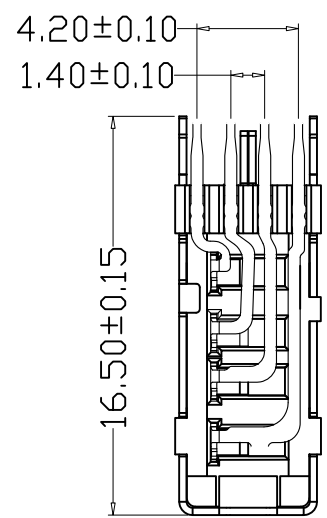
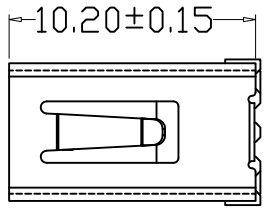


| | | |
|------|--------------|------|
| MAPX | MODIFICATION | DATE |
| | | |

NOTE:

- Material:
 - Housing: Thermoplastics, UL94V-0 (ROHS, HF)
 - Contact: Phosphor Bronze C5191-EH/C2680-EH, T=0.25mm
 - Shell: COPPER ALLOY T=0.30mm
- FINISH:
 - Contact: 15u" Gold Plated on Contact Area, 80u" Min. Tin Plated on Solder Area, 50u" Min. Nickel Underplating Over All.
 - Shell: 50u" Min. Nickel Underplating Over All.
- Specification:
 - Rating:
 - Rated voltage 500V AC/DC. Rated current: 2 A Max.
 - Electrical:
 - Insulation Resistance(EIA-364-21): 1000MΩ Min. at 500V/DC for 1Minute.
 - Contact Resistance(EIA-364-23): 30 mΩ Max. at 20mV Max, 50mA
 - Dielectric Withstanding Voltage(EIA-364-20): No discharge, flashover or breakdown at 500V/AC 1Minute
- Plug extraction force shall be between 1.0kgf and 2.00kgf
- Contact finish:
 - 01: Selective Gold Flash
 - 02: Selective Gold 3U"
 - 03: Selective Gold 5U"
 - 04: Selective Gold 15U"
 - 05: Selective Gold 30U"



RECOMMENDED PCB LAYOUT
GENERAL TOLERANCES: ±0.05

| | | | | | | | | | | | | | | | | | | | | | | | | | | | |
|---|------------|---------------|-------|--------------------------|---------------------------|-----------|------|----|-------|----|------|-----|-------|-----|------|------|-------|------|-------|---------------------|--|--|--|--|--|--|--|
| <p>产品图 PRODUCT CHART DWG</p> <p>公差一览表 TOLERANCE UNLESS OTHERWISE</p> <table border="1"> <tr> <td>X.</td> <td>±0.25</td> <td>X.</td> <td>±5.°</td> </tr> <tr> <td>.X</td> <td>±0.20</td> <td>.X</td> <td>±2.°</td> </tr> <tr> <td>.XX</td> <td>±0.15</td> <td>.XX</td> <td>±1.°</td> </tr> <tr> <td>.XXX</td> <td>±0.10</td> <td>.XXX</td> <td>±0.5°</td> </tr> </table> | | | | X. | ±0.25 | X. | ±5.° | .X | ±0.20 | .X | ±2.° | .XX | ±0.15 | .XX | ±1.° | .XXX | ±0.10 | .XXX | ±0.5° | <p>深圳市精拓金电子有限公司</p> | | | | | | | |
| X. | ±0.25 | X. | ±5.° | | | | | | | | | | | | | | | | | | | | | | | | |
| .X | ±0.20 | .X | ±2.° | | | | | | | | | | | | | | | | | | | | | | | | |
| .XX | ±0.15 | .XX | ±1.° | | | | | | | | | | | | | | | | | | | | | | | | |
| .XXX | ±0.10 | .XXX | ±0.5° | | | | | | | | | | | | | | | | | | | | | | | | |
| 单位 UNITS | MM | 制图 DRAWING | Z-Y-B | 制图料号 PRODUCT PART NO. | 906-162A1024D10200 | | | | | | | | | | | | | | | | | | | | | | |
| 比例 SCALE | 1:1 | 审核 CHKD | | 产品名称 PRODUCT NO. | AF10.0插短体三直脚无边 铜壳PBT黑胶 | | | | | | | | | | | | | | | | | | | | | | |
| 日期 DATE | 2014.02.20 | 核准 APPD | | 角法 VIEW | | 版本 VER | | A0 | | | | | | | | | | | | | | | | | | | |