

|      |              |      |
|------|--------------|------|
| MAPX | MODIFICATION | DATE |
|      |              |      |

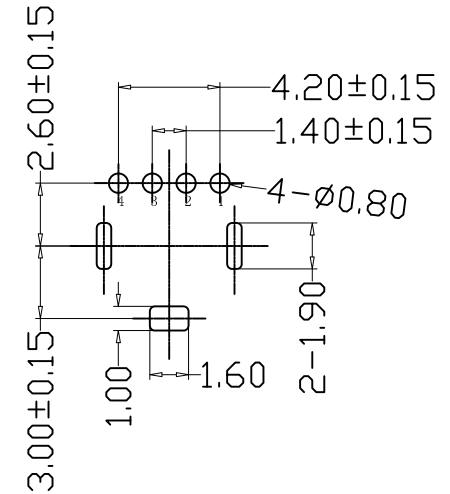
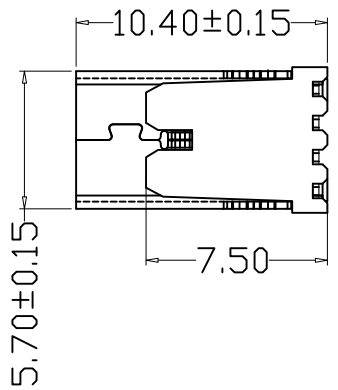
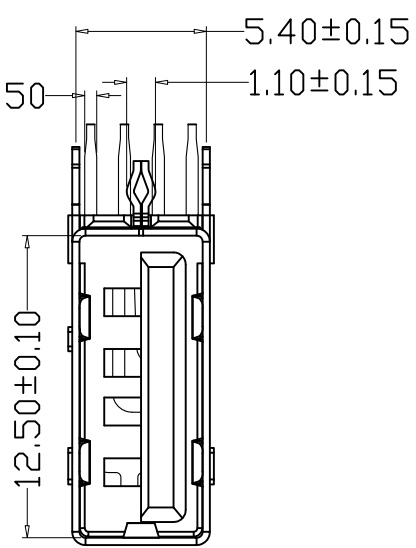
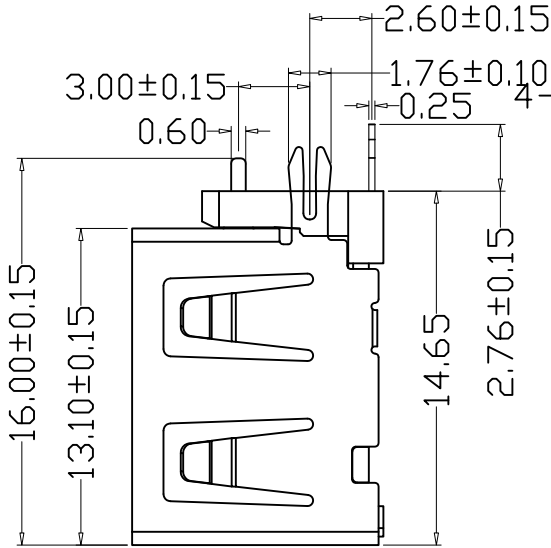
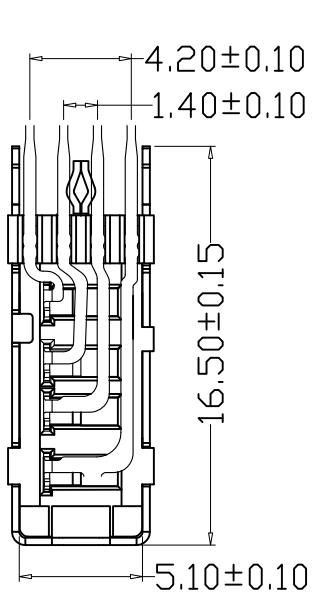
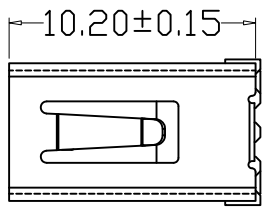
Specification:

1. Electrical Characteristics:  
 Dielectric Withstanding Voltage: AC 500V/1MINUTE.  
 Insulation Resistance: 1000 MΩ/Min.  
 Contact Resistance: 30 mΩ Max.

2. Mechanical Characteristics:  
 INSERTION FORCE: 30N (3.06KgF) MAX  
 EXTRACTION FORCE: 10~30N (1.02~3.06KgF)  
 Durability: 1500cycles. EXTRACTION FORCE: 10~30N (1.02~3.06KgF)

3. Material:  
 Terminal: Phosphor Bronze, C2680R-EH T=0.25  
 Plating: Gold 0.76 um Min plating over 1.27 um Min Nickel underplate, 2.54 um Min Sn selective plating on solder tail;  
 Shell: Bronze, SPCCR-H =0.30mm  
 Plating: Nickel underplate 2.54 um Min;  
 Housing: PBT white

4. Environmental:  
 Operating Temperature: 0° C to +85° C.



RECOMMENDED PCB LAYOUT  
 GENERAL TOLERANCES: ±0.05

|                                     |       |              |       |               |            |                          |                                       |    |  |
|-------------------------------------|-------|--------------|-------|---------------|------------|--------------------------|---------------------------------------|----|--|
| 产品图<br>PRODUCT CHART DWG            |       | 深圳市精拓金电子有限公司 |       |               |            |                          |                                       |    |  |
| 公差一览表<br>TOLERANCE UNLESS OTHERWISE |       | 单位<br>UNITS  | MM    | 制图<br>DRAWING | Z-Y-B      | 制图料号<br>PRODUCT PART NO. | 906-862A1118D10200                    |    |  |
| X.                                  | ±0.25 | X.           | ±5.°  | 比例<br>SCALE   | 1:1        | 审核<br>CHKD               | 产品名称<br>PRODUCT NO.                   |    |  |
| .X                                  | ±0.20 | .X           | ±2.°  | 日期<br>DATE    | 2014.02.20 | 核准<br>APPD               | AF10.0侧插短体外鱼叉内O型脚无边<br>铜壳加厚1.5PBT防火橙胶 |    |  |
| .XX                                 | ±0.15 | .XX          | ±1.°  | 角法<br>VIEW    |            |                          | 版本<br>VER                             | AO |  |
| .XXX                                | ±0.10 | .XXX         | ±0.5° |               |            |                          |                                       |    |  |