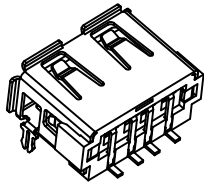


MAPX	MODIFICATION	DATE



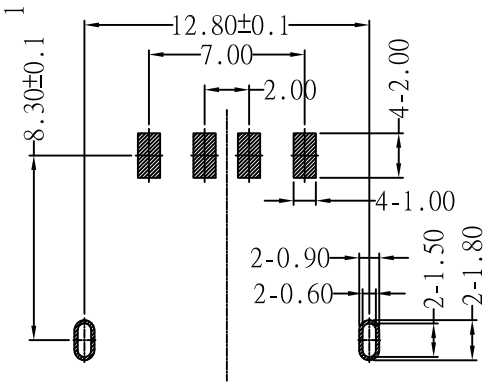
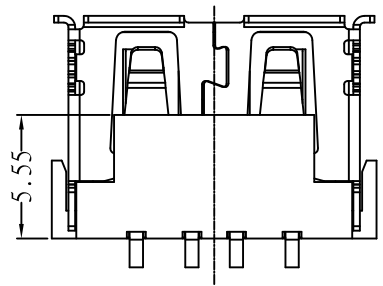
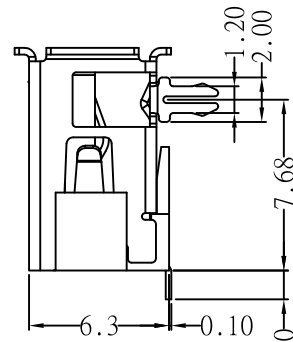
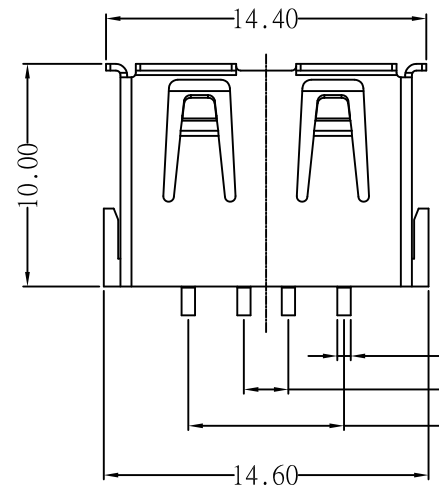
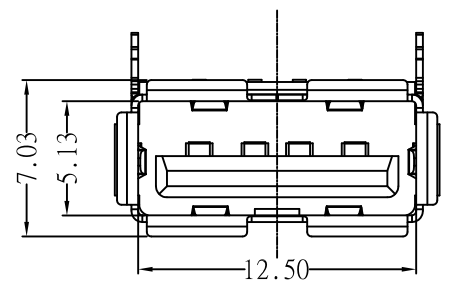
Specification:

1. Electrical Characteristics:
 Dielectric Withstanding Voltage: AC 500V/1MINUTE.
 Insulation Resistance: 1000 MΩMin.
 Contact Resistance: 30 mΩ Max.

2. Mechanical Characteristics:
 INSERTION FORCE: 30N(3.06Kgf) MAX
 EXTRACTION FORCE: 10~30N(1.02~3.06Kgf)
 Durability:1500cycles.EXTRACTION FORCE:10~30N(1.02~3.06Kgf)

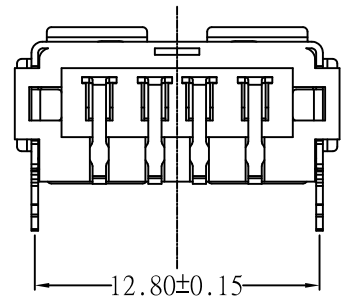
3. Material:
 Terminal: C5191/C2680R-EH T=0.25
 Plating: Gold 0.76 um Min plating over 1.27 um Min Nickel underplate, 2.54 um Min Sn selective plating on solder tail;
 Shell: Bronze, SPCC,H =0.30mm
 Plating: Nickel underplate 2.54 um Min;
 Housing: PBT PA9T LCP Black White

4. Environmental:
 Operating Temperature: 0°C to +85°C.



908-X X X A X XX X X X XX

- 01/02=1U 04=3U 07=15U 08=30U
- 1=氟铜 2=磷铜
- D=90度 Y=180度 S=贴板
- 1=A款6.3 2=A款6.8,
- 01=白色 02=黑色
- 1=PBT 2=LCP 3=PA9T
- A=正向
- 1=铁壳24H 2=铜壳24H
- 5=有边 6=无边 7=有边有缺口
- 1=前两脚 2=后两脚 3=四脚



RECOMMENDED P.C.B LAYOUT

<p>产品图 PRODUCT CHART DWG</p> <p>公差一览表 TOLERANCE UNLESS OTHERWISE</p>				<p>深圳市精拓金电子有限公司</p>							
X.	±0.30	X.	±5.°	单位	MM	制图	YANG	制图料号	908-151A2021S10100		
.X	±0.25	.X	±2.°	比例	1:1	审核	郭志富	产品名称	AF10.0A款前两脚有边缺口铁壳 LCP黑胶6.3SMT		
.XX	±0.15	.XX	±1.°	日期	2019.11.23	核准	黄国荣	角法	版本 AD		
.XXX	±0.10	.XXX	±0.5°	日期		APPD		VIEW			