

ROHS

由 Autodesk 教育版产品制作

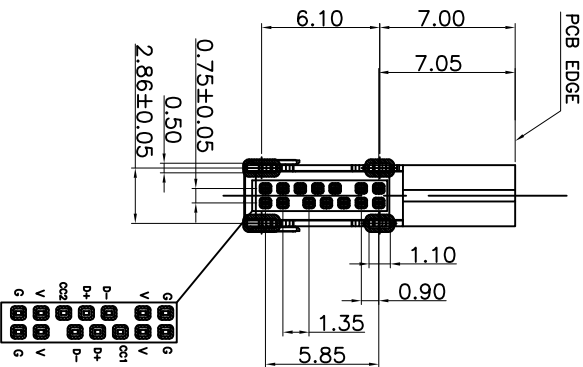
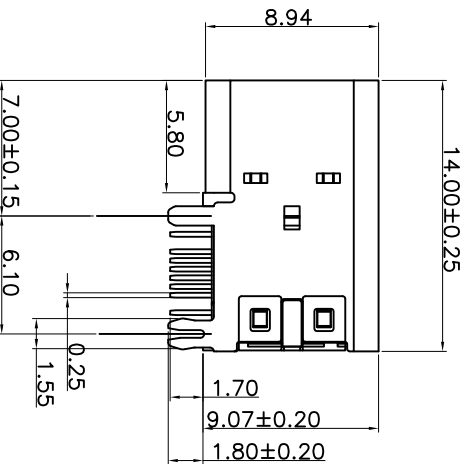
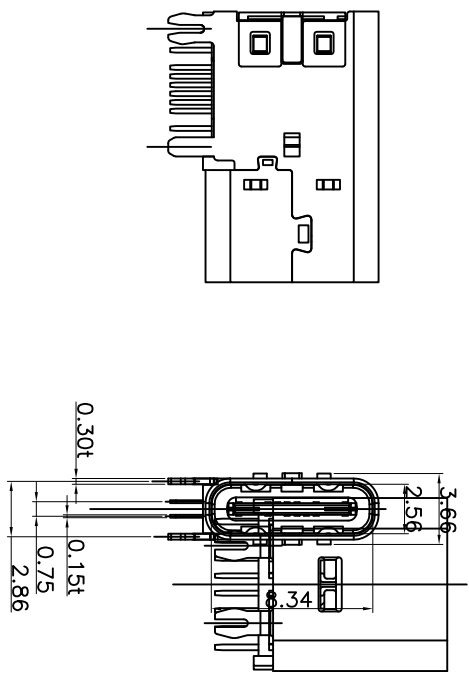
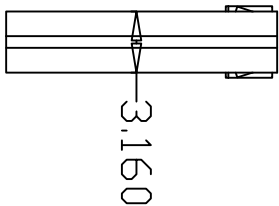
MAPX

MODIFICATION

DRW

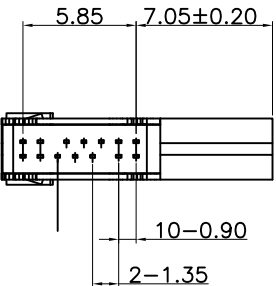
DATE

PCB板厚建议1.0~1.2MM



RECOMMENDED P.C.B. LAYOUT
TOLERANCE UNSPECIFIED ±0.05mm

- NOTE :
- TC02PFD014SXW02Z1 —
1. Selective Plating
 - S1:5u" Gold In Contact Area
 - 100u" Tin In Tail Area
 - S2:0.8u" Gold In Contact Area
 - 100u" Tin In Tail Area
 - S3:10u" Gold In Contact Area
 - 100u" Tin In Tail Area
 - S4:15u" Gold In Contact Area
 - 100u" Tin In Tail Area
 - S5:30u" Gold In Contact Area
 - 100u" Tin In Tail Area



产品图

PRODUCT CHART DWG

公差一览表

TOLERANCE	UNLESS OTHERWISE	OTHERWISE
X	±0.35	X
X	±0.20	X
XX	±0.10	XX
XXX	±0.05	XXX

深圳市精拓金电子有限公司
Shenzhen Jing Tuo Jin Electronics Co., Ltd.

NO.	DESCRIPTION	MATERIAL	COLOR	REMARK
4	TYPE C MD	HIGH TEMP	BLACK	UL 94V-0
3	CENTER PIECE	STAINLESS STEEL	—	NO Plated
2	TYPE C TERMINAL	COPPER ALLOY	—	Gold Plated
1	SHELL	STAINLESS STEEL	—	Ni Plated

单位	UNIT	MM
比例 <td>SCALE</td> <td>1:1</td>	SCALE	1:1
日期 <td>DATE</td> <td>2016-09-09</td>	DATE	2016-09-09

由 Autodesk 教育版产品制作